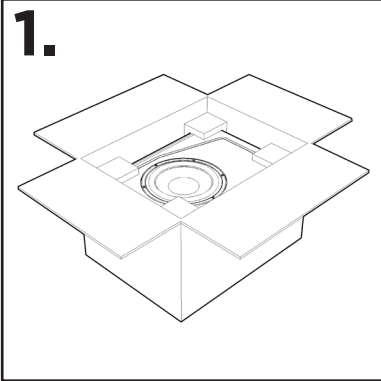


Quick Start Guide

1.



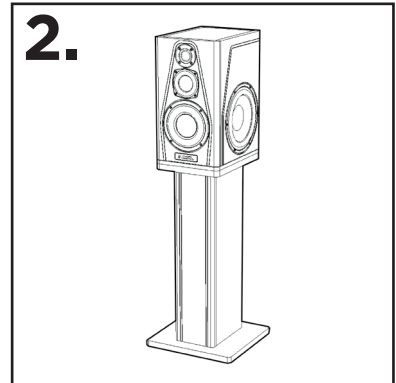
Unbox

Carefully remove loudspeakers, cables, and documentation. When handling avoid touching drivers or passive radiators to prevent any accidental damage.

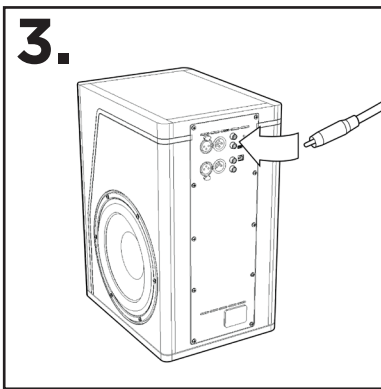
Placement

Place loudspeakers in their listening position with enough space behind the speaker to access the connections and power switch. "Primary" Loudspeaker (with LED on front baffle) is your Left Channel. (Final placement will depend on your listening environment)

2.



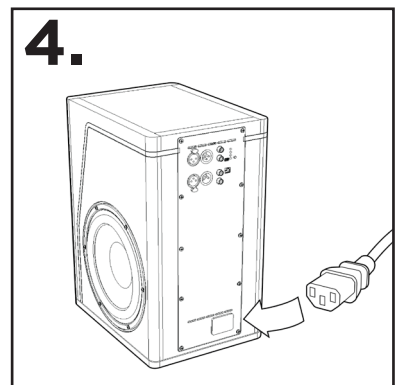
3.



Connections

First, connect the "Primary" Loudspeaker to the "Secondary" Loudspeaker using the provided S/PDIF Cable. Next, connect source components to the back of the system. The system will automatically switch to the correct input when it senses an audio signal. (For a more detailed description of each input please refer to the "Use Cases" section of the Owner's Manual.)

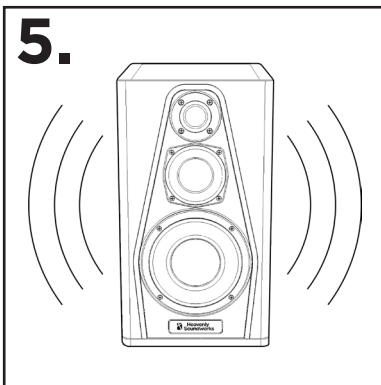
4.



Connect Power

Connect the supplied power cable to the back of the speaker, and turn the power switch to the On (I) position.

5.



Enjoy!

Grab the remote, sit down, and queue up your favorite tunes!

*If using matching stands, please follow assembly instructions included with stands.